



FPT.AI OVERVIEW



FPT.AI – the comprehensive AI platform

Introduction

FPT.AI is a platform for building conversational interfaces into any application or voice interfaces into robots or smart devices.

FPT.AI provides the advanced machine learning functionalities of automatic **Speech recognition** (ASR), **Text to speech** (TTS), and **Natural language processing/understanding** (NLP, NLU) to enable your systems to interact with users using natural languages via voice or text.



The comprehensive platform to understand, learn, and interact with customers...



UnitedHealth GroupSM



Unilever



StarHub

SoftBank



Vi chúng tôi hiểu bạn

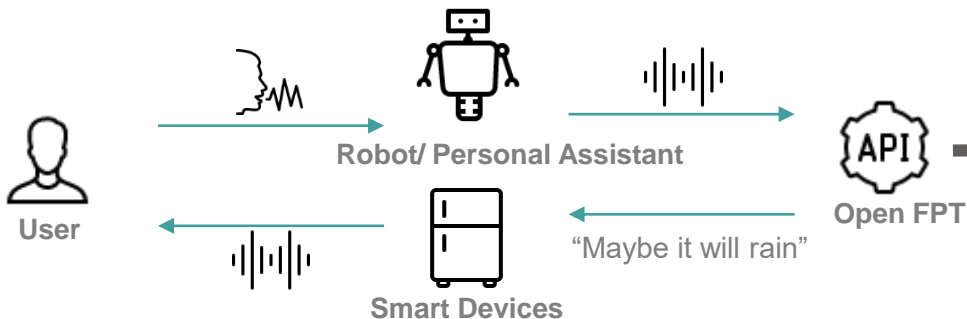


THE COFFEE HOUSE

FPT Conversational Platform



“What’s the weather in Hanoi today?”



Features

- **Provide a complete solution** (Speech + Natural Language Processing + Conversational Management) to create engaging conversations with customers.
- **Personalized + Context-Driven:** our AI understand context of questions based on prior questions/ interactions/ location/ other semantics. It understands language, not just commands.
- **Machine Learning:** The system continuously gets smarter as it learns from conversations it has with people.
- **Integrate with all platforms:** Facebook Messenger, Slack, Skype, Twilio, SMS, etc.

FPT Conversational Platform

Speech

- Speech Synthesis
- Speech Recognition

NLP

- Word Segmentation
- Part-of-Speech Tagging
- Dependency Parsing

AI

- Bot Engine
- Intent Parser
- Dialog Builder
- Knowledge Base

FPT.AI - Speech

TEXT TO SPEECH

The FPT TTS service **understands text** and **natural language** to generate **synthesized audio** output complete with appropriate cadence and intonation.

With diverse **variety of voice pitches** (male, female) and **phonetics (North, Middle and South)** of Vietnam, you can find the most suitable voice for your business affairs.



Natural
Voice



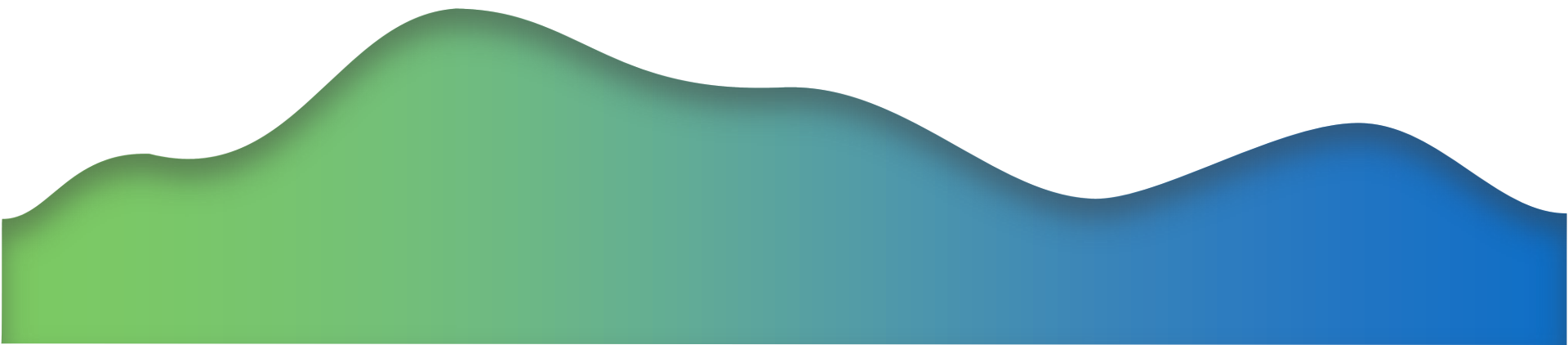
Archive and Utilize
the product



Diversity of
accents



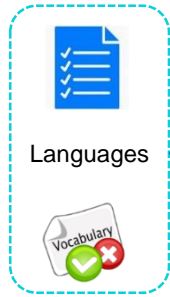
Fast response
time



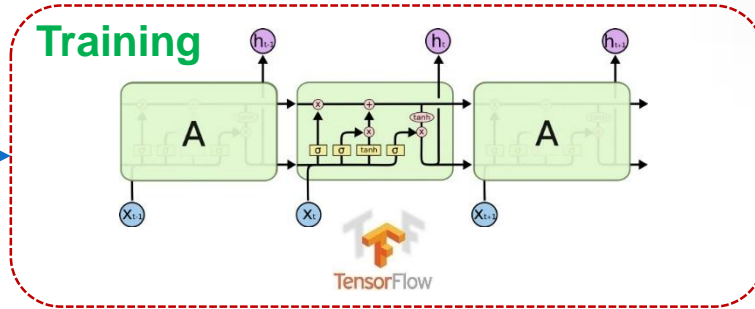
FPT.AI – Machine Translation



The system able to automatically translate from source (S) to target (T) focus to the domain IT.



Languages



Training

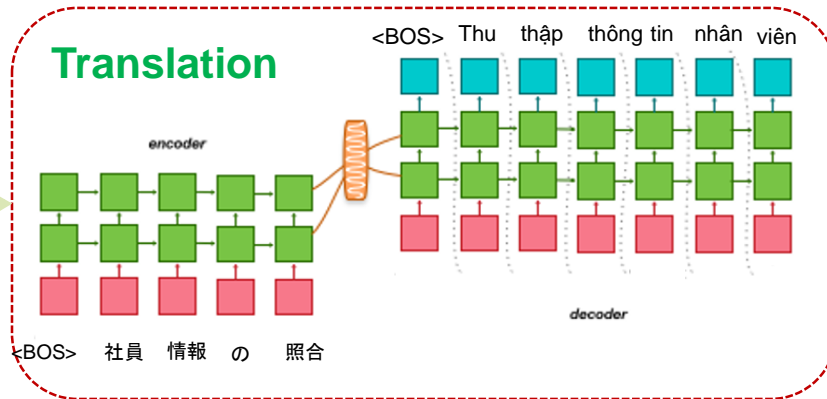
TensorFlow



Models

Neural machine translation

社員情報の照合



Translation

<BOS> Thu thập thông tin nhân viên

encoder

decoder

<BOS> 社員情報の照合



Thu thập thông tin nhân viên



Machine Translation



FPT.AI's ADVANTAGES

06

Powered by the leading ICT corporation of VIETNAM

05

Support by the top machine learning and NLP scientists

04

FPT.AI offers pay-as-you-go pricing, and there are no upfront costs.



01

All sophisticated Algorithms are abstracted away and provided as ready-to-use APIs and SDKs.

02

FPT.AI will provide many Vietnamese-specific technologies.

03

The infrastructure was built on top of the best cloud services, so customer can seamlessly deploy and scale as needed

FPT.AI – Demo session

1. Chat bot, automated email processing

2. Auto-responded Robot



3. Automated call center

4. Chatbot for Banking Mobile App

5. Machine Translation





Thank You